

Ultrasonic level transmitter for liquids

BAMOSONIC



- Measuring range from 0.2 to 8 m (liquids)
- Non-contact level measurement
- Power supply by 4-20 mA Loop
- IP67 Ingress protection
- Option : Plug-in display

APPLICATIONS

BAMOSONIC measures continuously the level of liquid in a tank, without contact with the liquid.

- Storage tanks
- Weirs and open channels
- Waste water lifting units

DESCRIPTION

BAMOSONIC is a high performance ultrasonic compact sensor with integrated transducer. This high reliable sensor is supplied by the 4-20 mA loop.

Installed on the tank roof, or above the liquid surface to be measured, the transmitters give analogue output proportional to liquid level. BAMOSONIC is recommended for liquid level measurement in sumps or tanks, for tank contents measurement, or open channel flow measurement.

Four keys provide for programming.

With the help of the N-DIS plug-in display a full-parameter programming can be accomplished, the parameters of measurement and output can be set using the alphanumeric display module.

TECHNICAL DATA



Transducer material	PP (Polypropylene) PVDF (Polyvinylidene fluoride)
Housing	Plastic PBT
Medium temperature	-30 °C ... +90 °C
Ambient temperature	-25 °C ... +70 °C
Environment	Avoid any condensation on the sensor
Pressure*	0.5 ... 3 bar (abs.)
Sealing	EPDM (PP model) FPM (PVDF model)
Ingress protection	Transducer IP 68 - Housing IP67
Accuracy	± (0,2% of measured distance + 0,05% of range) <i>Under optimal operating conditions and stabilized temperature</i>
Resolution	Depending on the measured distance < 2 m : 1 mm; 2...5 m : 2 mm; 5...8 m : 5 mm
Full beam angle	Between 5 et 7 °
Power supply	12...36 V DC / 48 ...720 mW
Output	Analogue 4-20 mA
Electrical connection	2 x M20 x 1.5 and 2x 1/2" NPT Cable : Ø6...Ø12 mm wire cross section: max.1.5 mm²
Electrical protection	Class III

* For vacuum application please contact us

EC Conformity: The instrument meets the legal requirements of the current European Directives.



Pression - Température

8 Av. du Gué Langlois · 77600 Bussy-Saint-Martin
Tel +33 (0)1 60 37 45 00 Web www.citec.fr
E-mail citec@citec.fr

Ultrasonic level transmitter for liquids
BAMOSONIC

21-11-2024

D-597.06-EN-AG

LEVEL

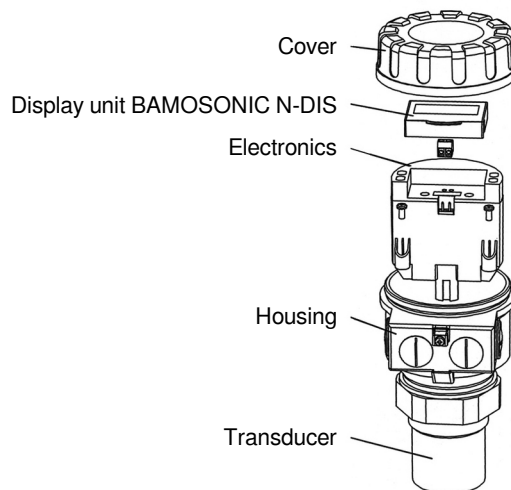
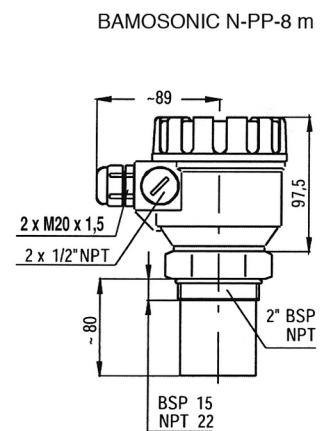
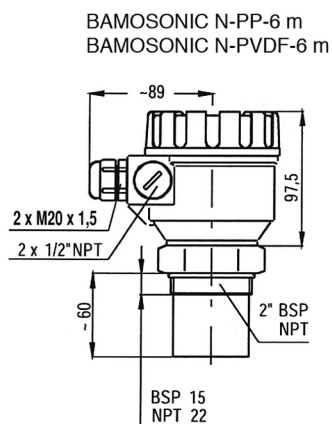
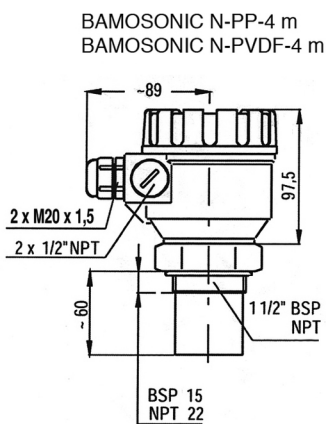
597-06/1

CODE NUMBERS AND REFERENCES

Code	597 220	597 202	597 205	597 222	597 223
Designation (BAMOSONIC-N-xx-xx)	PP-4m	PP-6m	PP-8m	PVDF-4m	PVDF-6m
Transducer material	PP	PP	PP	PVDF	PVDF
Max. measuring range *	4 m	6 m	8 m	4 m	6 m
Min. measuring range*	0,2 m	0,25 m	0,35 m	0,2 m	0,25 m
Beam angle	6°	5°	7°	6°	5°
Connection	1 1/2"	2"	2"	1 1/2"	2"
OPTION : Programming display BAMOSONIC DIS - N					
Code	597 902				
Display	LCD, 6 digits, icons and graphic				

*From transducer bottom end

DIMENSIONS



8 Av. du Gué Langlois · 77600 Bussy-Saint-Martin
Tel +33 (0)1 60 37 45 00 Web www.citec.fr
E-mail citec@citec.fr

Ultrasonic level transmitter for liquids
BAMOSONIC

21-11-2024

D-597.06-EN-AG

LEVEL

597-06/2